

MEDICAL Adapter

150W

FEATURES

- IEC60601-1 3.1 ed. / IEC62368-1 both Medical & ITE safety approved
- IEC60601-1-2 EMC 4th ed. compliance
- 2 x MOPP isolation
- Low leakage current < 0.1mA
- No load power consumption < 150mW
- IEC 320 C8 AC inlet (Class II)
- DOE & CoC compliance
- MTBF: 1 million hours
- Type BF application
- 3-years warranty

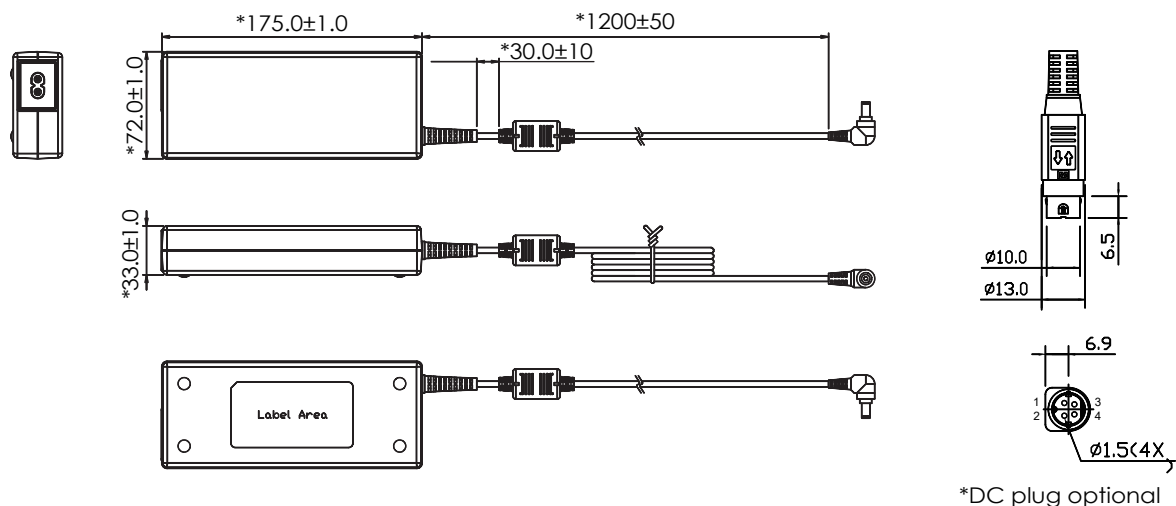
MAD150 Series

Dimension : L175*W72*H33mm
Total Max Power : 150W



General Specification		MAD150-12	MAD150-19	MAD150-24
Input	Voltage range	90 - 264Vac		
	Frequency range	47 - 63Hz		
	Leakage current	< 0.1mA		
Output	DC voltage	12V	19V	24V
	Max load (A)	12.5	7.89	6.25
	Ripple & noise	≤80 mVp-p	≤120 mVp-p	≤120 mVp-p
	Hold up time	20ms @ 115Vac(full load)		
Protection	OVP	Latch mode		
	OCP	Auto recovery		
	OTP	Latch mode		
Environment	Operating temp	0°C-40°C, 40°C - 70°C de-rating by 2.7W/ °C for 12V 0°C-40°C, 40°C - 70°C de-rating by 2.3W/ °C for 19V and 24V		
	Operating humidity	10 - 95%		
	Altitude	0~3000 meters		
Others	Medical rating	BF		
	MTBF	1 million hours		

OUTLINE DRAWING



MEDICAL Adapter